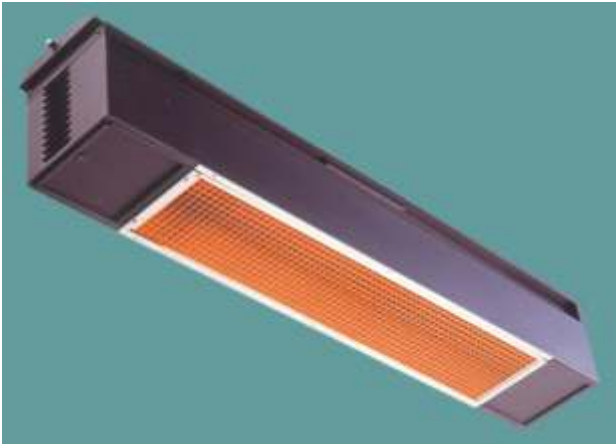




Sunpak® Patio Heaters Model S25, S34

PSA265 (V) (E) A242 A244 (V) (E) A270 Sunpak S25, S34



The Sunpak® Models S25 & S34 are outdoor rated heaters available for use with natural or propane gas. These heaters can be either wall or ceiling mounted. The optional mounting kit allows this heater to be mounted from above keeping the patio deck free and clear. Heat coverage varies depending on the wind exposure on patio. The average spacing between the heaters is 10 feet apart.

Sunpak® comes with a 24 VAC spark ignition system which includes flame monitoring through flame rectification. All Sunpak Heaters require an external 24 VAC source.

As an unvented gas heater, Sunpak® heaters need a continuous supply of fresh air and proper ventilation of combustion gases to operate safely. This heater is not suitable for inside residences and other confined areas where the operational and safety requirements of this heater cannot be met. Refer to heater instructions, available online or from manufacturer for complete information.

The Sunpak® heater design offers a slim profile which works well in a wide variety of patio settings. Sunpak® heaters are available in either black powder coat or a 304 stainless steel finish.



Specifications:

Dimensions	8 x 8 x 48 inches
Input Rating S25	25,000 BTU/HR
S34	34,000 BTU/HR
Fuel Type	Natural or Propane Gas
Ignition	Electronic
Electrical (A244V & E)	24 VAC - 20 VA
24 VAC Transformer	Not Included
Mounting Kit	Optional
Wind Rating	10 mph Horizontal
Nominal Spacing	10 feet
Mounting	Suspend
Finish	Black or Stainless Steel
Manufactured	United States
Certification	CSA International
Warranty	One Year / Parts Only
Weight	41 lbs



Mfr. by:

INFRARED DYNAMICS, INC.

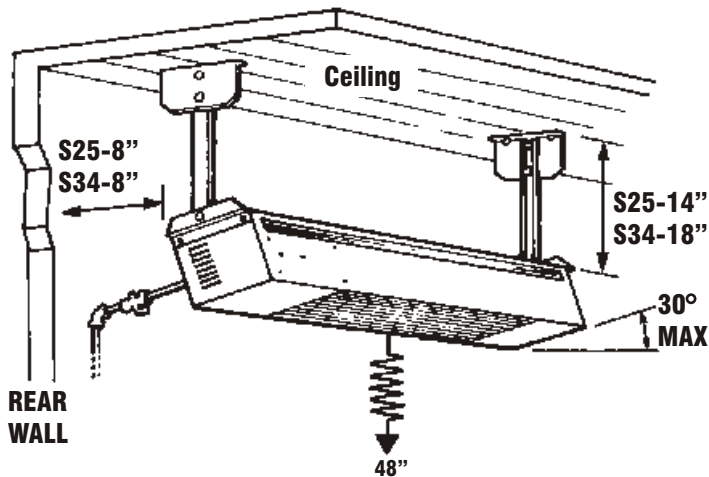
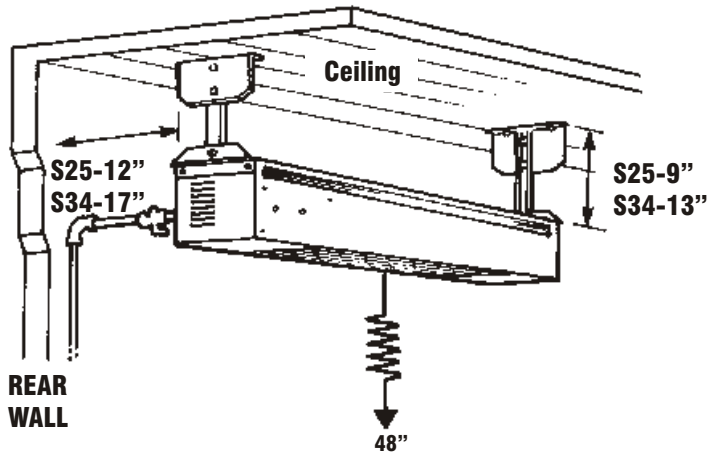
3830 Prospect Avenue

Yorba Linda, CA 92886

Toll Free: 1-888-317-5255

www.infradyne.com

Minimum Clearances to Combustible Materials using Optional Mounting Kit P/N 12006



Sunpak® heaters utilize a fully automatic OFF/ON control system. This heater requires a 24 VAC source and switch or timer or other control device. This control device is to be supplied by the installer. Radiant heat comes out through the aluminum grill below and hot exhaust gases exit from the top of the unit. This heater was not designed to be used in either a soffit or recessed ceiling.

S25 offers a lower radiant heat output which allows this heater to be located in patios with limited ceiling height.

S34 offers a greater radiant heat output which allows this heater to be located higher. Also note the above and side clearance requires increases with the higher BTU/Hr unit.

The required clearance from combustible materials must be maintained on all heaters. In addition heaters must have adequate fresh air and ventilation to operate properly. Make sure you can meet these requirements in making your heater selection.

This specification sheet was designed as a brief summary about this heater. The primary use of this sheet should be for heater selection only. It should not be used as the sole guide for placement and installation of these heaters. Complete installation instructions can be obtained by calling toll free at 1-888-317-5255 and online at www.infradyne.com.

Required Clearances to Combustible Materials

Model	Input BTUH	Side In	Rear In	Ceiling In	Below In	Mtg. Angle
S25	25,000	24"	12"	9"	48"	HORZ
S34	34,000	34"	17"	13"	48"	HORZ
*S25	25,000	24"	8"	14"	48"	30° MAX
S34	34,000	34"	8"	8"	48"	30° MAX

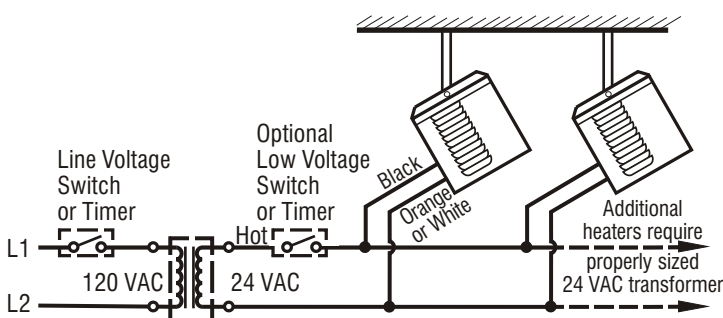
Above clearances apply to models on either natural or LP gas.
*Model S25 for LP gas for use in horizontal position only.

Suggested Specifications:

Heater shall be Sunpak® model (S25 or S34) as manufactured by Infrared Dynamics, Inc., Yorba Linda, California. All heaters shall be equipped with a 24 volt spark ignition system for use with (natural gas/propane) fuel. Each heater shall have passed the ANSI requirements for outdoor heaters.

Control shall be fully enclosed in a protected compartment inside the heater.

Burner shall be protected with an aluminum face guard.



FIELD WIRING

1. 24 VAC / 20 VA (.8 AMP) per heater (supplied by installer).
2. Maintain electrical polarity when hooking up multiple heaters.
3. Allow heaters to be switched by zones for heating flexibility.
4. DO NOT attempt to install transformer inside heater.